

## PLANETARY GEARBOXES



HPG SERIES

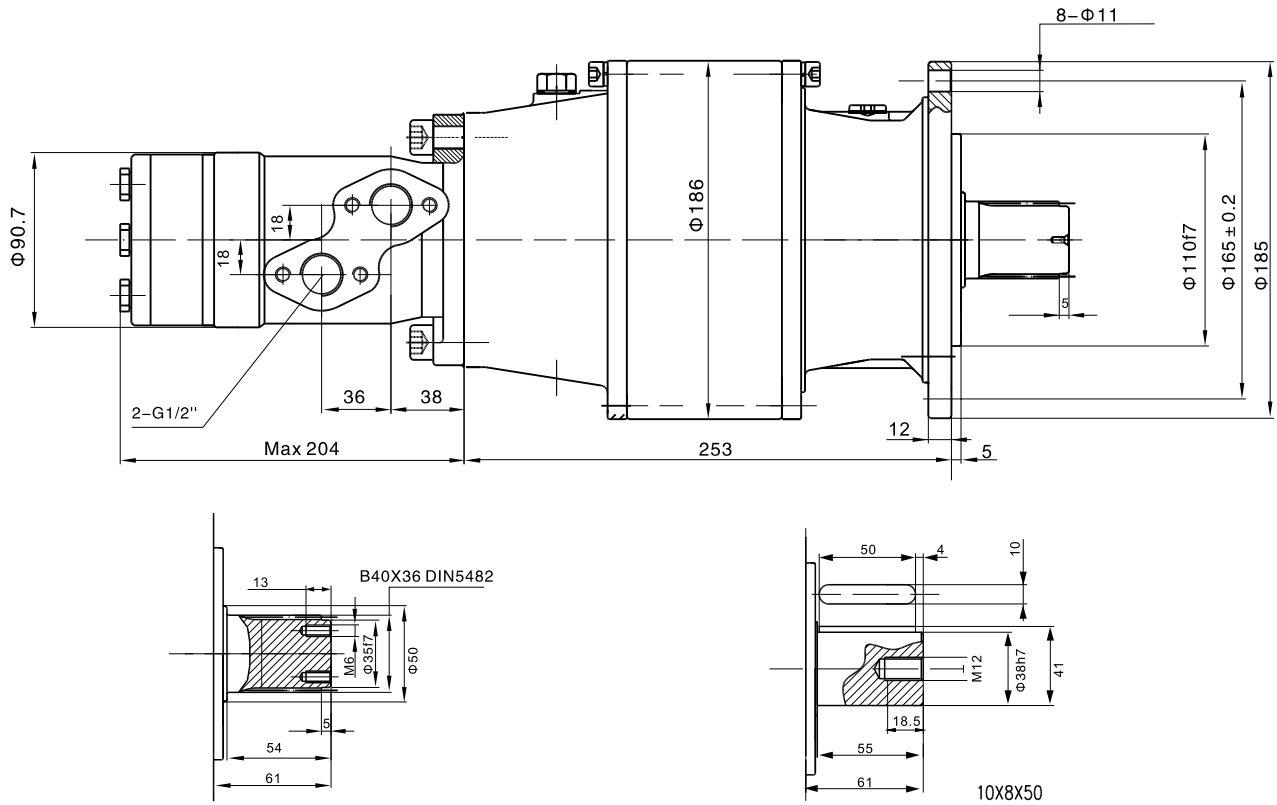
## TECHNICAL DATA

	Max. torque kNm	Ratio	Max. input speed rpm	Max. pressure bar	Min. starting pressure bar	Hydraulic motors	Weight kg
<b>HPG 1007</b>	1	1 ÷ 7	500	12,5	1,8	ORBITAL	30
<b>HPG 2025</b>	2	1 ÷ 25	500	12,5	1,8	ORBITAL	40
<b>HPG 5025</b>	5	1 ÷ 25	500	12,5	1,8	ORBITAL	70
<b>HPG 7038</b>	7	1 ÷ 38,21	1.000	35	1,8	AXIAL	85
<b>HPG 8005</b>	8	1 ÷ 5,47	500	16	1,8	ORBITAL	90
<b>HPG 10069</b>	10	1 ÷ 69	400	16	1,8	RADIAL	320
<b>HPG 10099</b>	10	1 ÷ 99	400	16	1,8	RADIAL	350
<b>HPG 15103</b>	15	1 ÷ 103	400	16	1,8	RADIAL	350
<b>HPG 20053</b>	20	1 ÷ 53	300	16	1,8	RADIAL	370
<b>HPG 25124</b>	25	1 ÷ 124	1.300	35	1,8	AXIAL	420

## PLANETARY GEARBOXES

### DRAWINGS

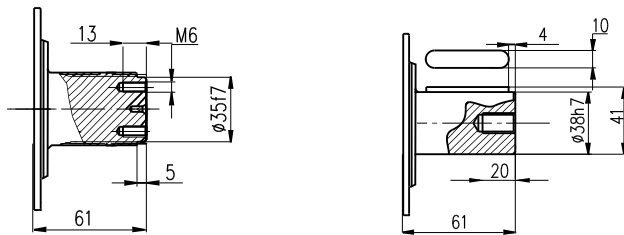
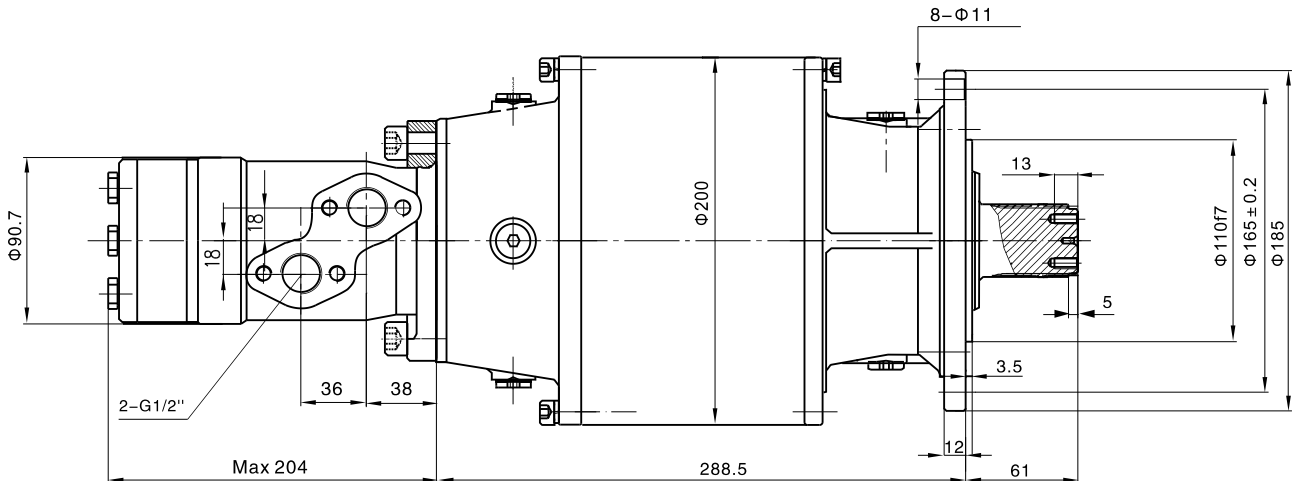
HPG 1007



## PLANETARY GEARBOXES

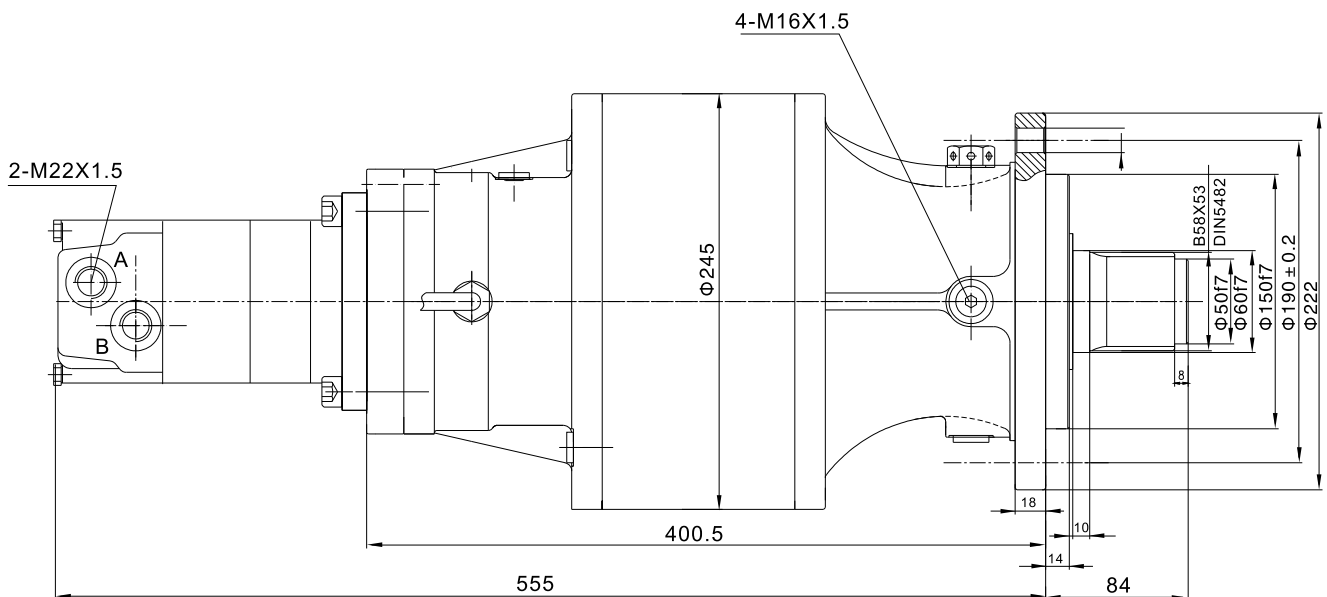
### DRAWINGS

#### HPG 2025



B40X36 DIN5482

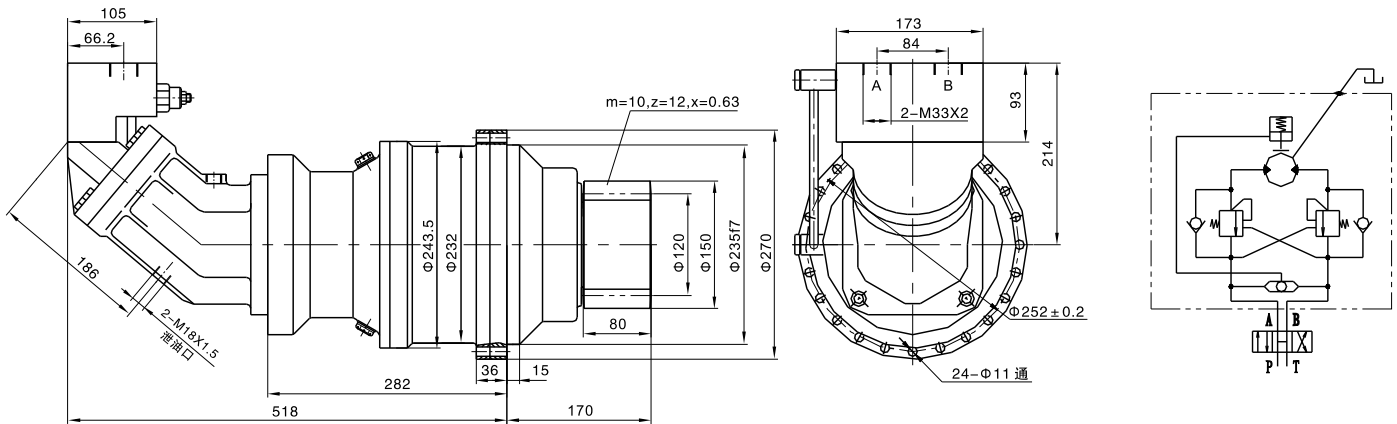
#### HPG 5025



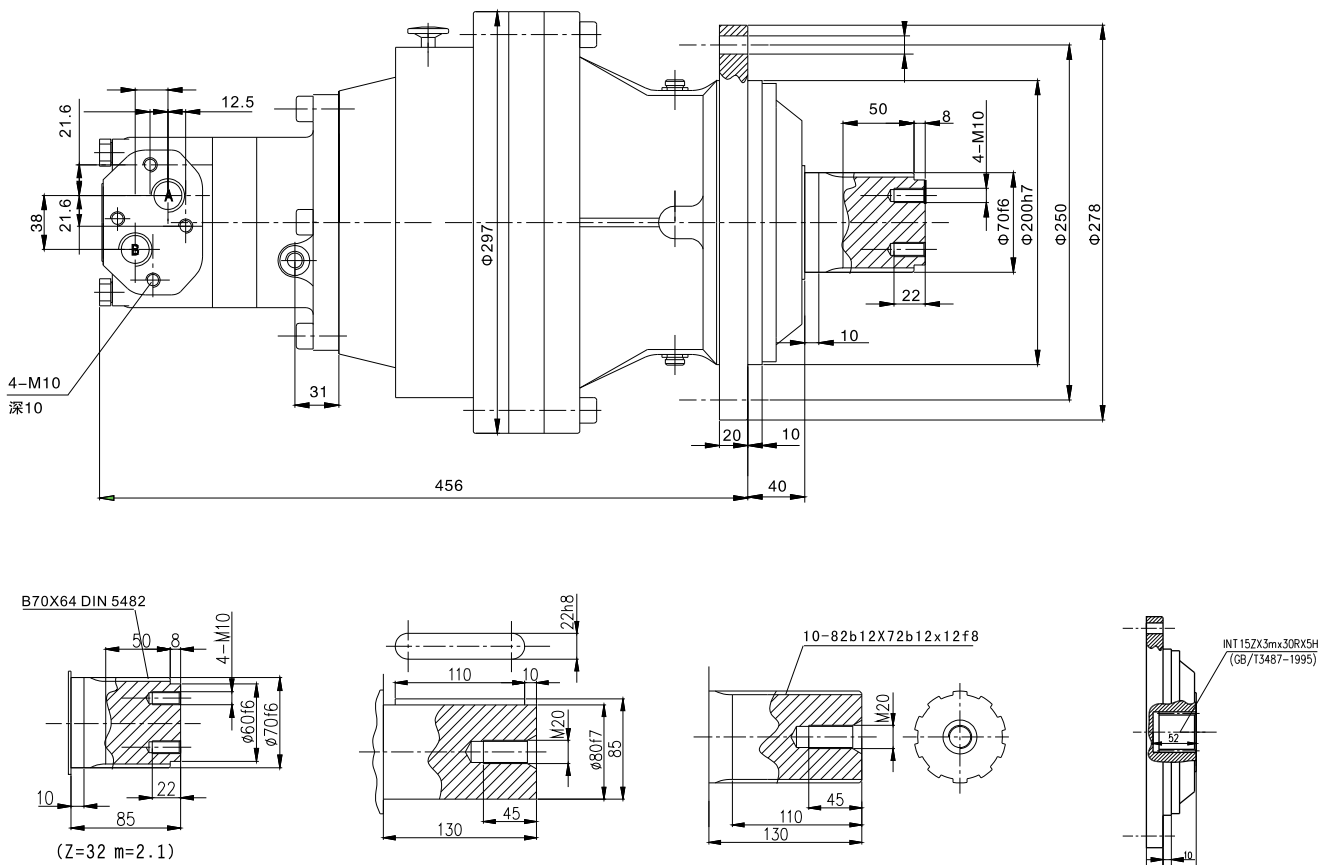
## PLANETARY GEARBOXES

### DRAWINGS

#### HPG 7038



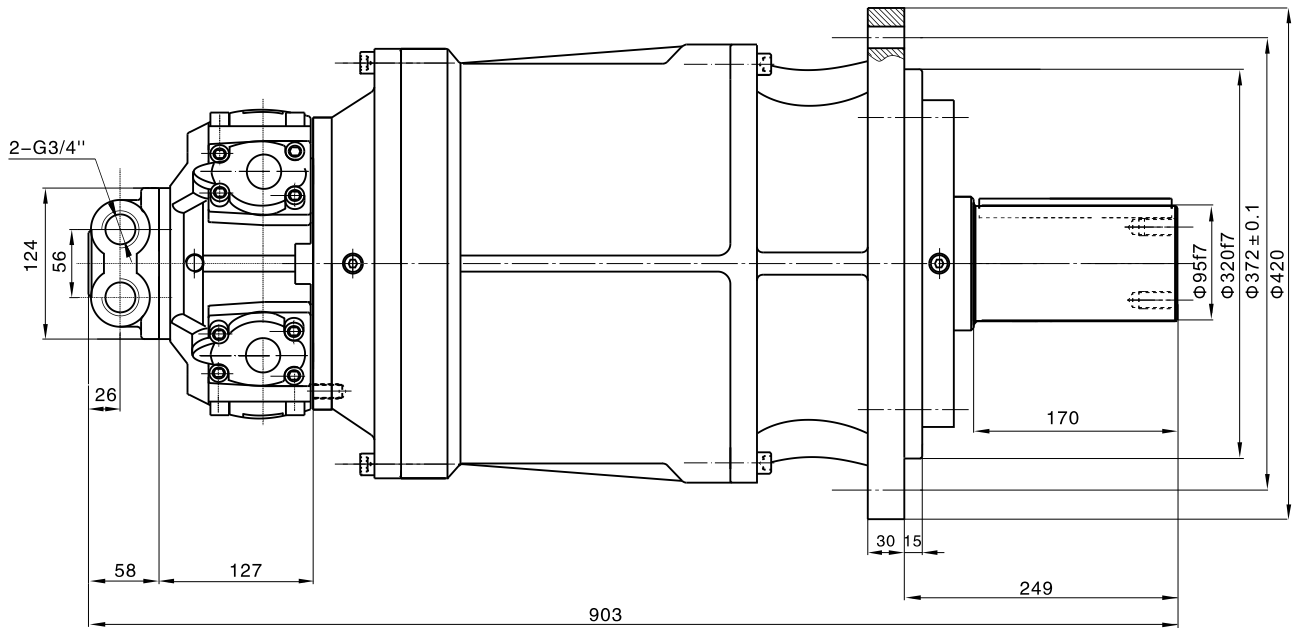
#### HPG 8005



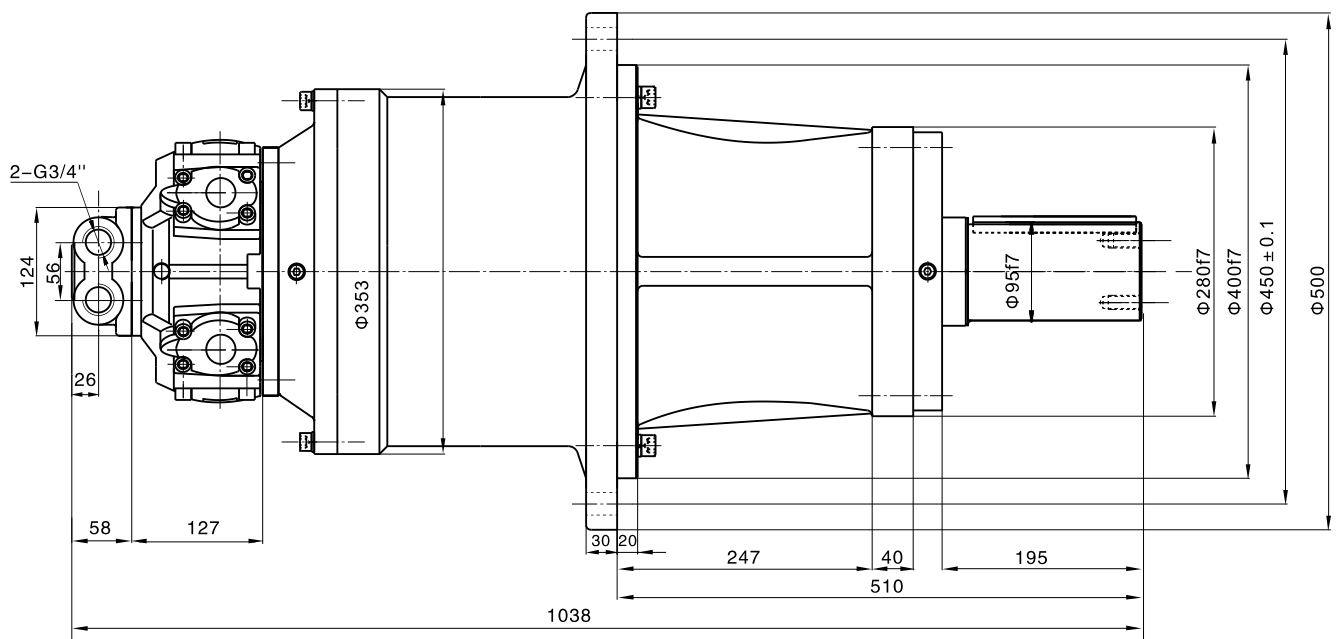
## PLANETARY GEARBOXES

### DRAWINGS

#### HPG 10069



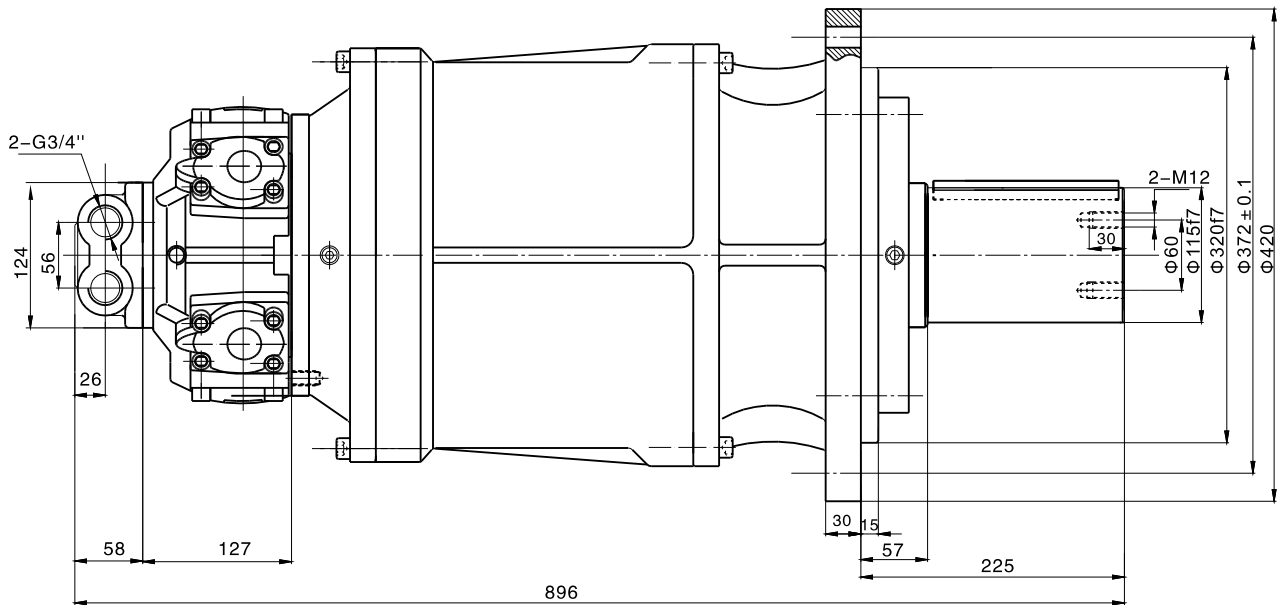
#### HPG 10099



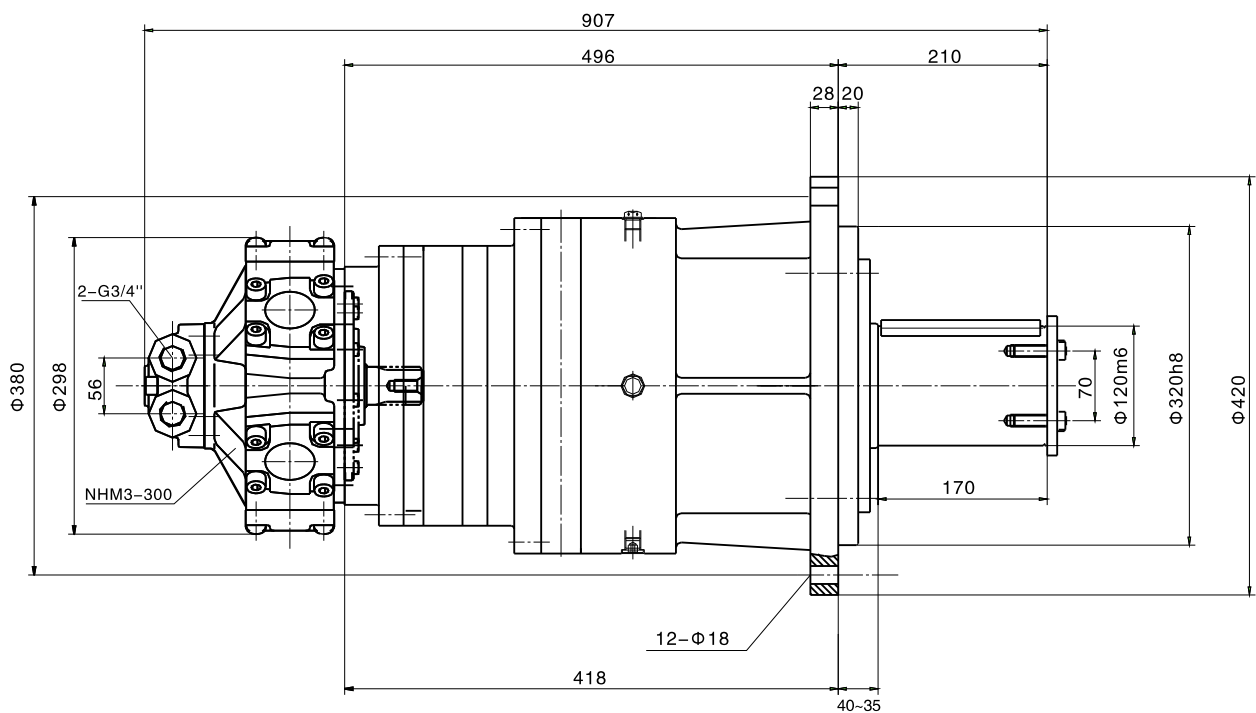
## PLANETARY GEARBOXES

### DRAWINGS

#### HPG 15103



#### HPG 20053



## PLANETARY GEARBOXES

### DRAWINGS

HPG 25104

