

TRACK AND WHEEL GEARBOXES



HWG SERIES

TECHNICAL DATA

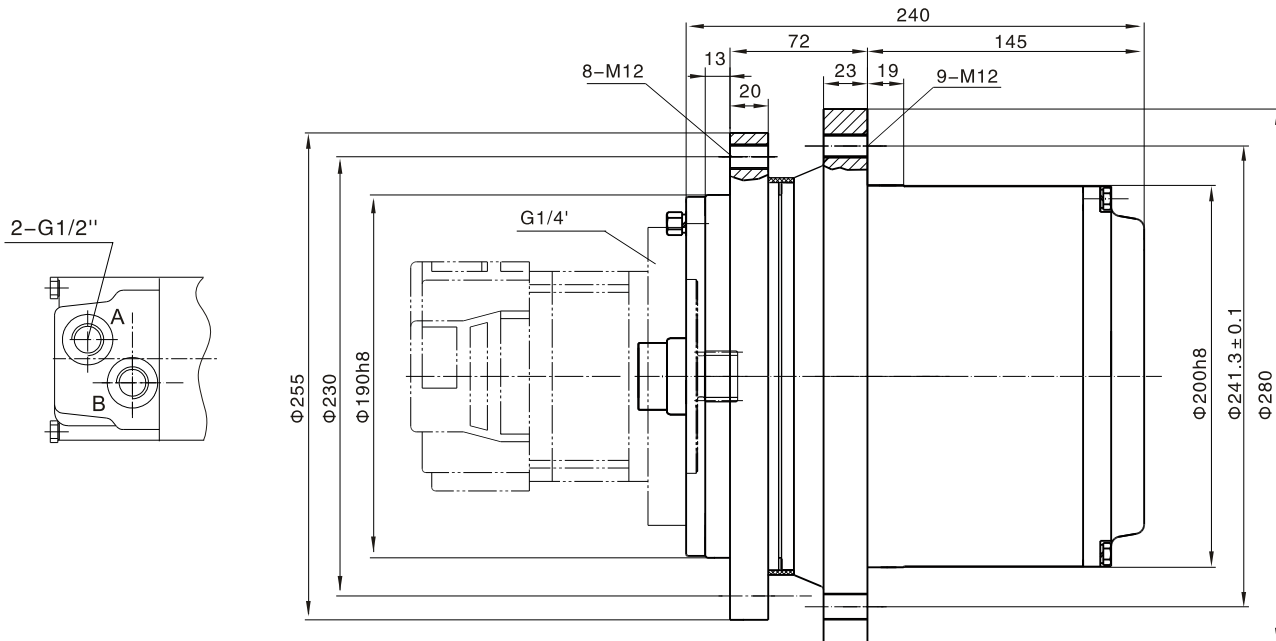
	Max. torque kNm	Ratio	Max. input speed rpm	Max. pressure bar	braking torque Nm	Starting pressure bar	Hydraulic motors	Weight kg
HWG 07024	7	1 ÷ 24,71	500	200	420	≥ 20		45
HWG 07025	7	1 ÷ 25	500	200	420	≥ 20		45
HWG 10023	10	1 ÷ 23,36	500	200	450	≥ 20		60
HWG 18106	18	1 ÷ 106,81	1.500	250	450	≥ 20	A2FE56/63	150
HWG 24130	24	1 ÷ 130,33	1.500	250	450	≥ 20	A2FE56/63	125
HWG 36139	36	1 ÷ 139,86	1.450	250	700	≥ 20	A2FE80/90	175
HWG 50184	50	1 ÷ 184,24	1.450	250	700	≥ 20	A2FE80/90	225
HWG 60140	60	1 ÷ 140,43	1.450	250	800	≥ 20	A2FE107/125	250
HWG 60170	60	1 ÷ 170	1.450	250	800	≥ 20	A2FE107/125	250
HWG 80185	80	1 ÷ 185,35	1.450	250	650	≥ 20	A2FE160/180	375
HWG 110214	110	1 ÷ 214,86	1.450	200	800	≥ 20	A2FE160/180	500

- Compact two, three or four-stage planetary gearboxes
- Cageless planetary gear bearing
- Optimized seals
- Robust main bearing
- Integrated multi-disc parking brake
- Optional for mounting fixed motors A2FE
- Optional with wheel drives: mechanical disconnecting device
- Easy oil change
- Easy mounting
- Low-noise operation

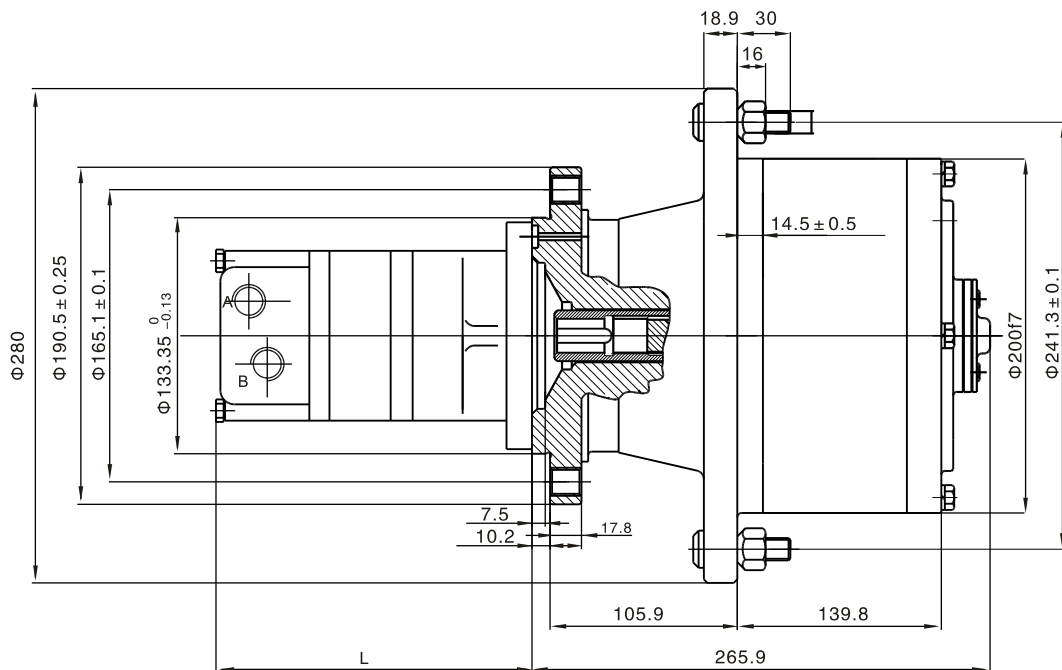
TRACK AND WHEEL GEARBOXES

DRAWINGS

HWG 07024



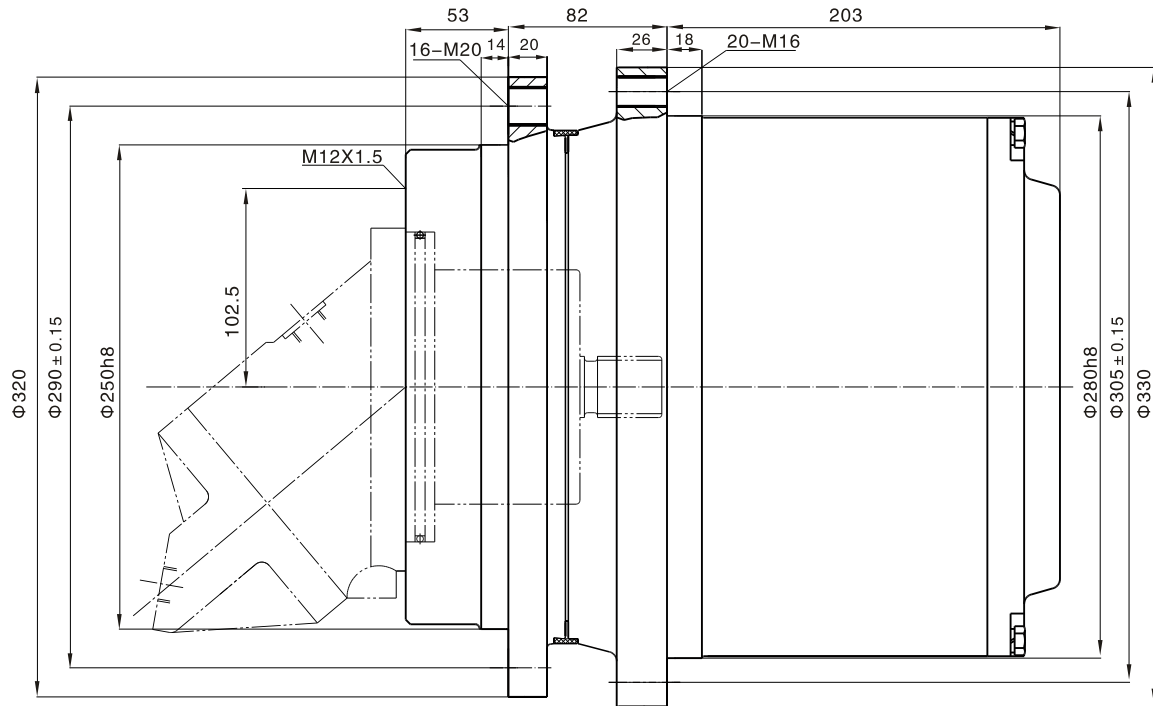
HWG 07025



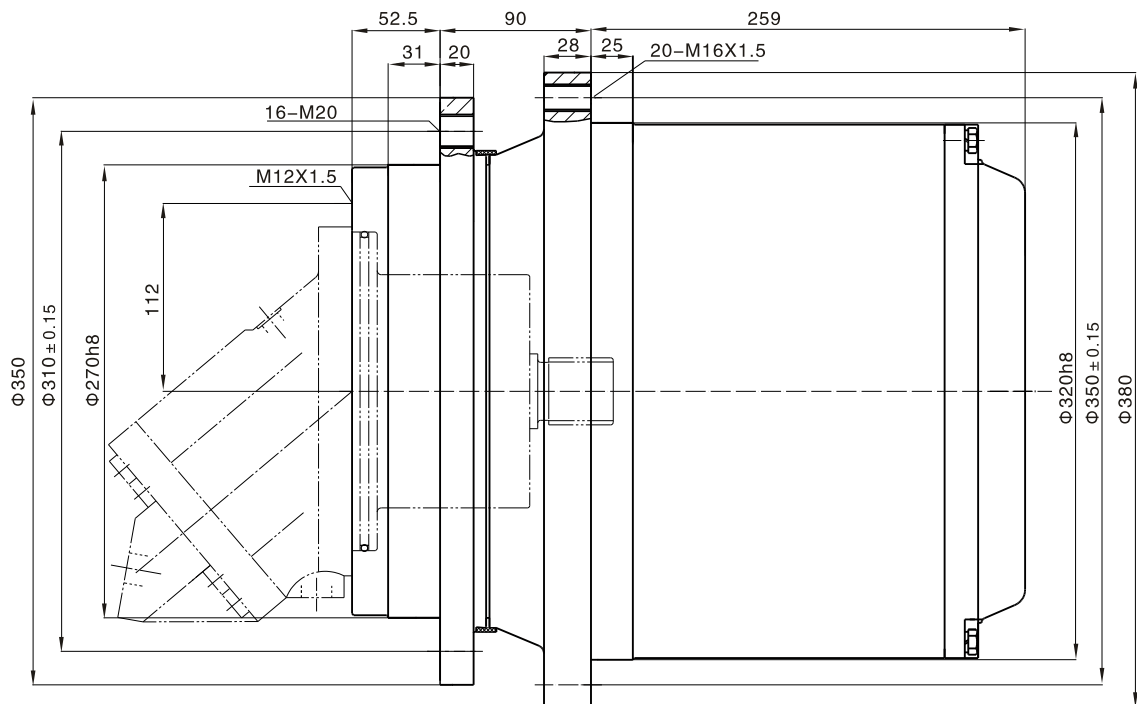
TRACK AND WHEEL GEARBOXES

DRAWINGS

HWG 24130



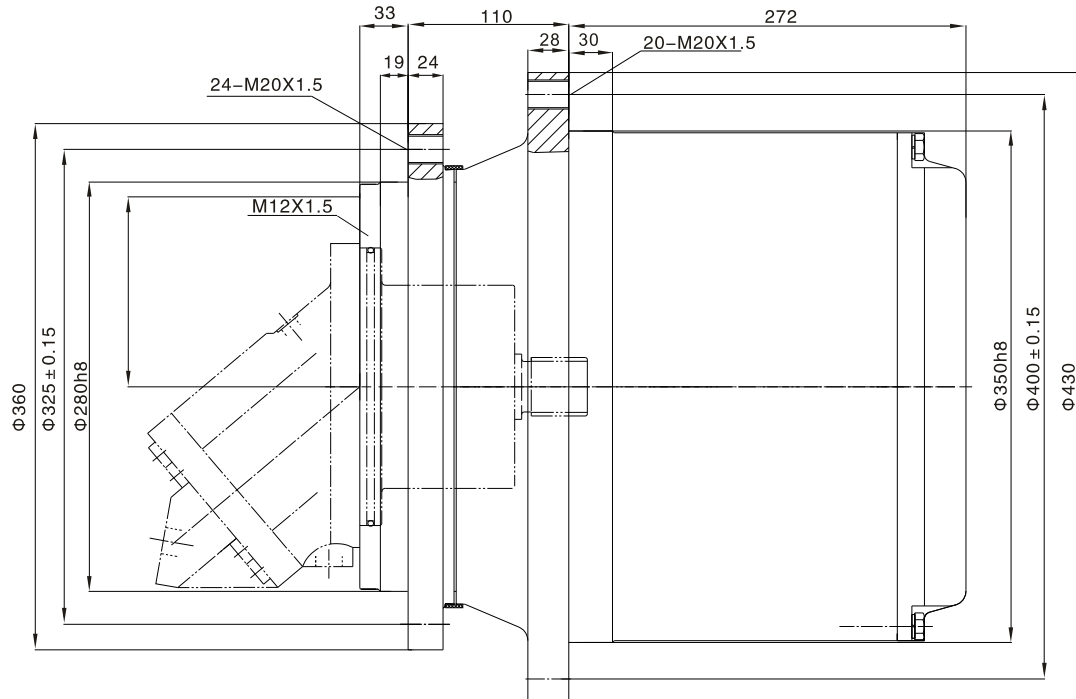
HWG 36139



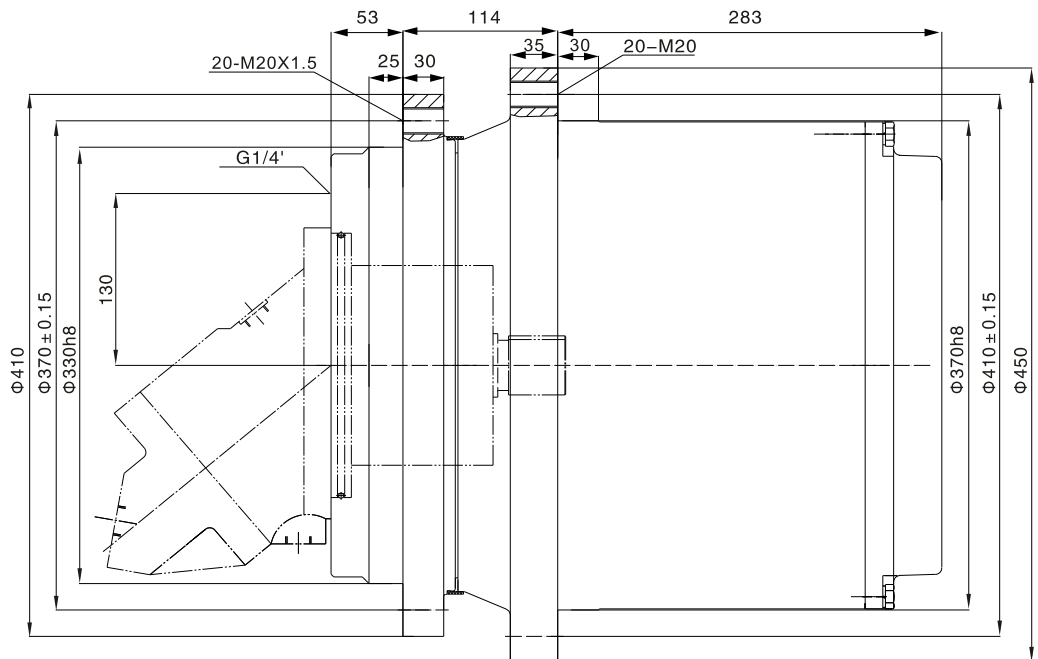
TRACK AND WHEEL GEARBOXES

DRAWINGS

HWG 50184



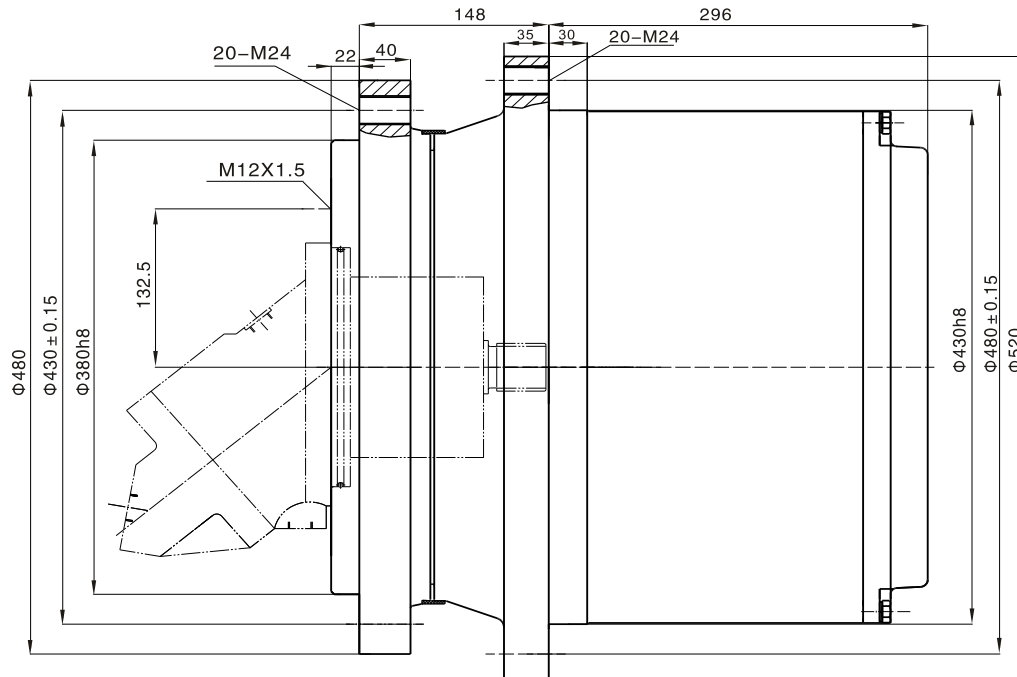
HWG 60140



TRACK AND WHEEL GEARBOXES

DRAWINGS

HWG 80185



HWG 110214

